

EXPECT MORE. CHOOSE READING.



# REDI-DEK™



Shown with optional overhead material rack, rear and goose neck tow packages, 4 rear stake pockets, flat tie down rail, and bulkhead lights.



Manufactured With Confidence

## The Perfect Pickup Bed Replacement

- **REINFORCED** outside stake pockets on 2" steel tie-down rails
- **RUGGED** steel slotted bulkhead, permanently mounted on platform
- **STEEL** treadplate floor with reinforced rear apron
- **RECESSED** license plate mounting bracket

# READING REDI-DEK™

## Options

- ICC Bumper with receiver tube
- Ball hitch hinged access door in the floor with ball hitch reinforcing - 3/4" steel mounting plate\* recessed under floor, gusseted to structural crossmembers (2 5/8" ball is included but not on DKS-SW body)
- Steel & aluminum underboxes
- 4 Rear stake pockets and flat tie-down rail
- Bulkhead lights
- Contractor Body Package: (2) 96" Tool-Mates™, sides & tailgate
- Back-up alarm
- SE package
- Overhead Material Rack

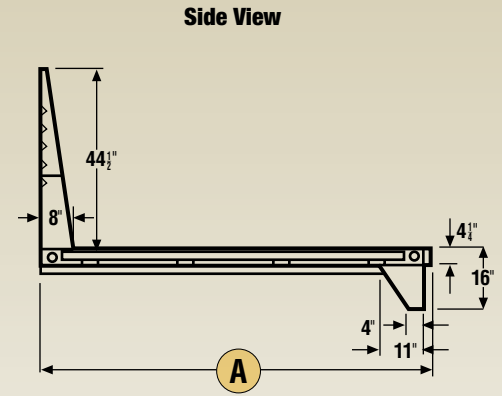
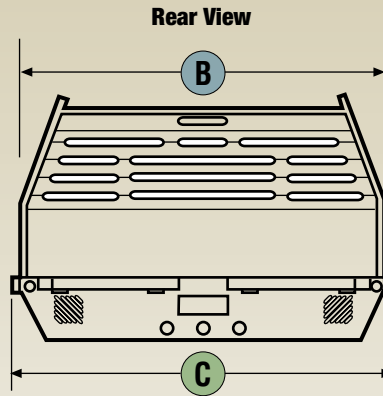
\* Reading recommends additional mounting points, such as shear plates, with this option. Reading does not supply these plates.



## Underbox Models / Dimensions

Model Number	Length	Approx. Ship Wt.	
		Steel	Alum.
U-20	20"	47 lb.	25 lb.
U-24	24"	57 lb.	30 lb.
U-30	30"	64 lb.	35 lb.
U-36	36"	73 lb.	40 lb.
U-48	48"	92 lb.	55 lb.
U-60	60"	112 lb.	65#

To order aluminum, prefix "AL" to model number  
Underbox height is 18", depth 18"



## Dimensions

Model	Understructure Long Sills	Crossmembers	Stake Rack Pockets/Side	A	B	C	Cab to Axel	Approx. wt./lbs.
DKS-7SW**	2	5	4	86.19"	81.25"	85.63"	40" to 42"	695 lb.
DKS-8SW**	2	5	4	98.19"	81.25"	85.63"	56"	755 lb.
DKD-8DW	2	5	4	98.19"	91.25"	95.63"	56"	845 lb.
DKS-9SW**	2	5	4	110.19"	81.25"	85.63"	60"	825 lb.
DKD-9DW	2	5	4	110.19"	91.25"	95.63"	60"	920 lb.
DKD-10DW***	2	6	5	122.19"	91.25"	95.63"	84"	985 lb.
DKD-11DW	2	7	6	134.19"	91.25"	95.63"	84"	1049 lb.
DKD-12DW	2	7	6	146.19"	91.25"	95.63"	84"	1145 lb.

DKS – Single Wheel Mode

DKD – Dual Wheel Mode

\*Gusseted to crossmembers

\*\* Chassis cab requires cab roof mark lights

\*\*\*NOTE: 10' Redi-Dek™ not recommended for Ford chassis with rear mounted fuel tank  
NOTE: all factory installed longitudinal sills are located for 34" frame width. If a different location is required dimensions must be given when placing an order.

**Sold and serviced locally by:**

**EXPECT MORE. CHOOSE READING.**



800.458.2226 | [www.readingbody.com](http://www.readingbody.com)

Reading is a registered trademark, and Redi-Dek & Tool-Mate are trademarks of Reading Truck Body, LLC in the United States and in some foreign countries

©2009 Reading Truck Body, LLC All dimensions subject to plus or minus tolerance of 1/4" and all dimensions and specifications are subject to change without notice

RTB09-RD-10M-01